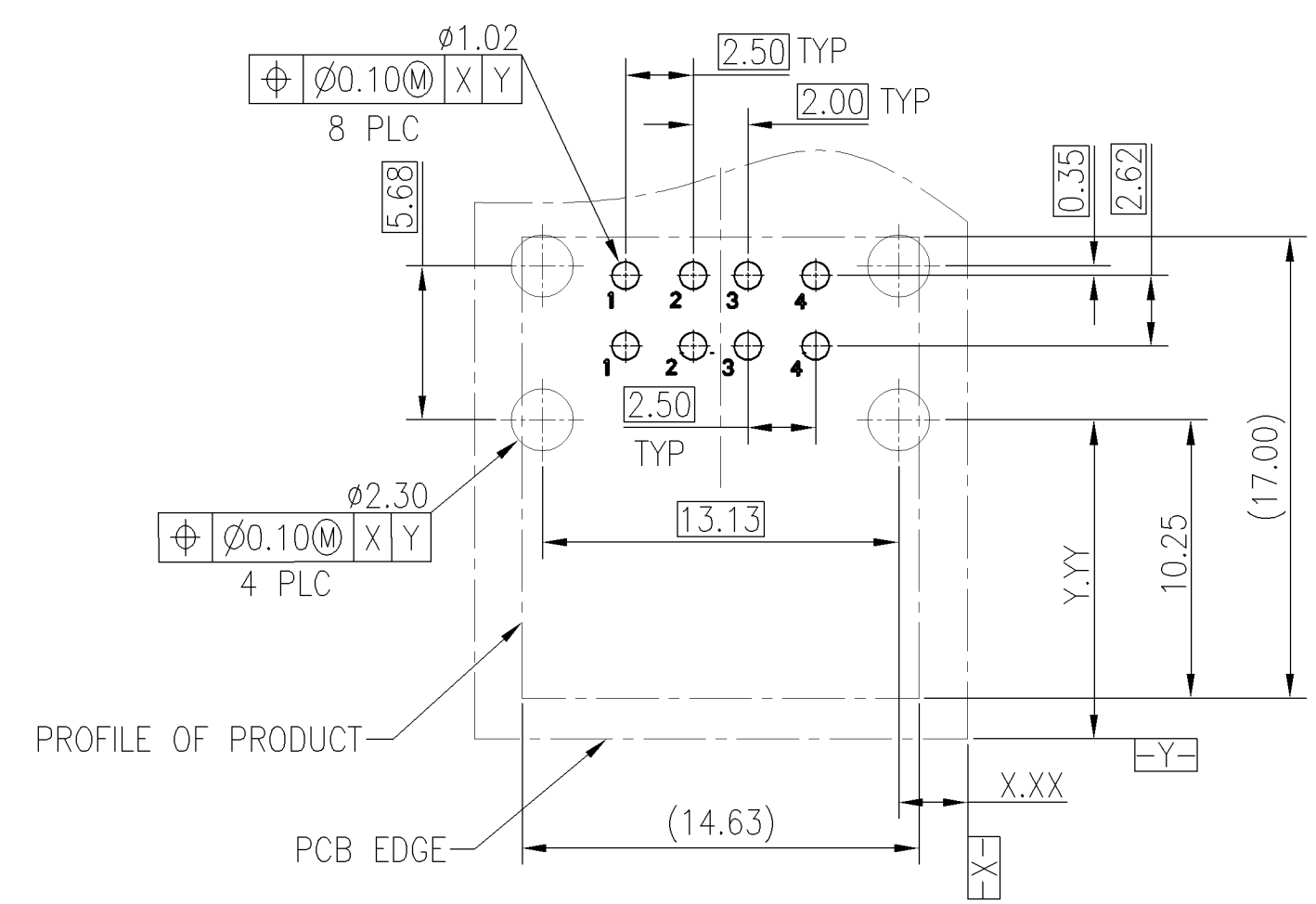
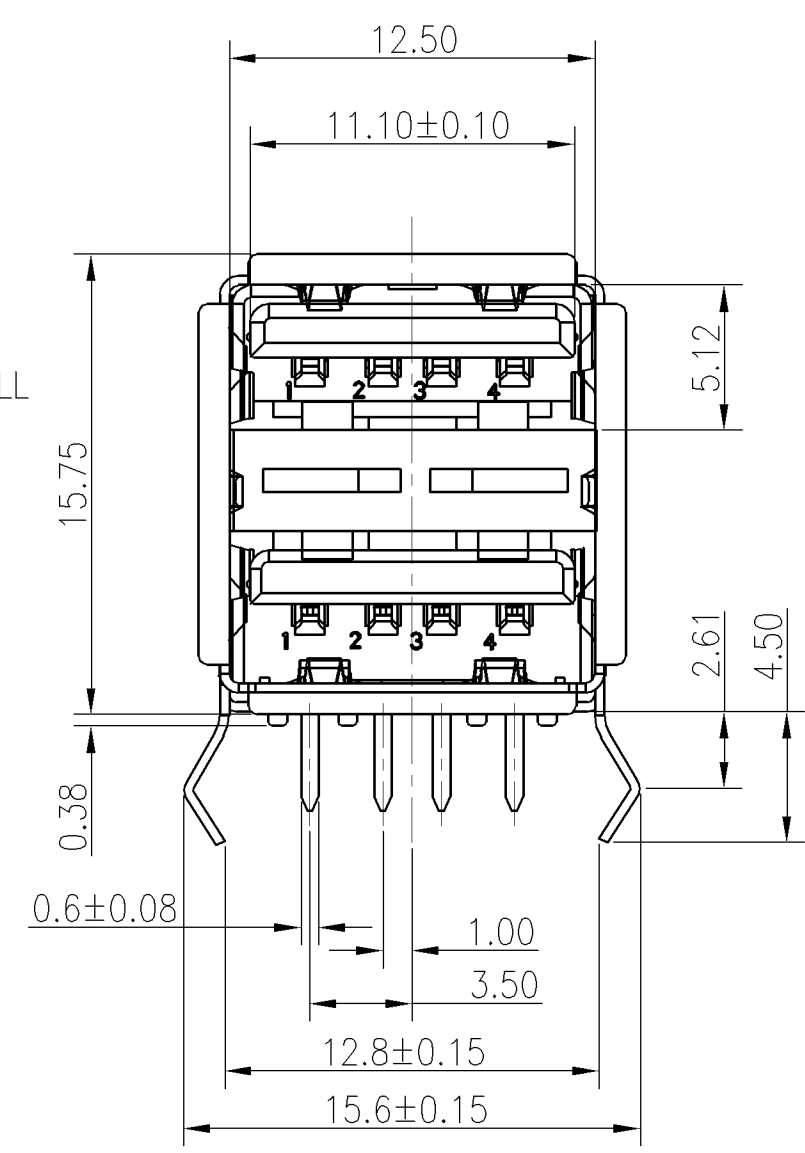
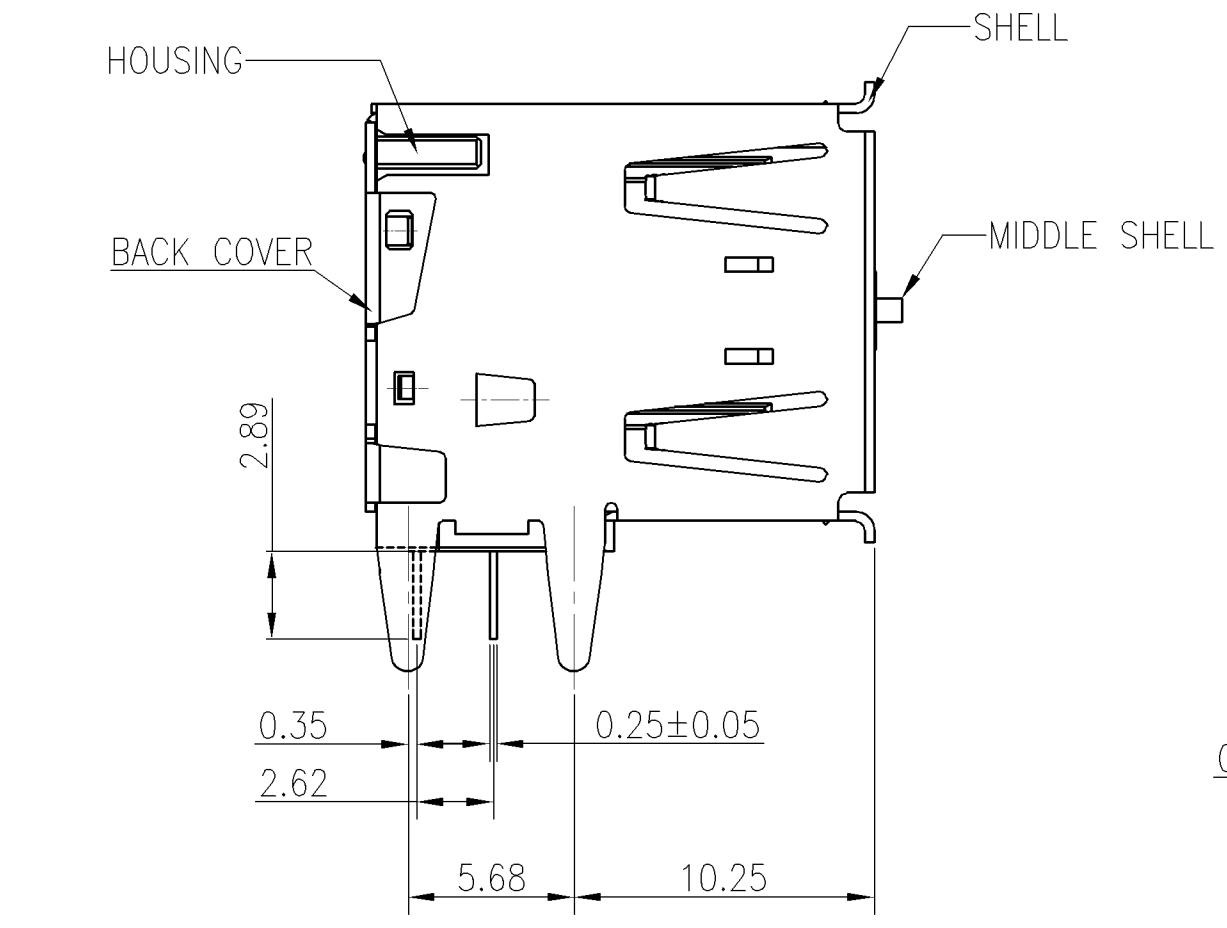
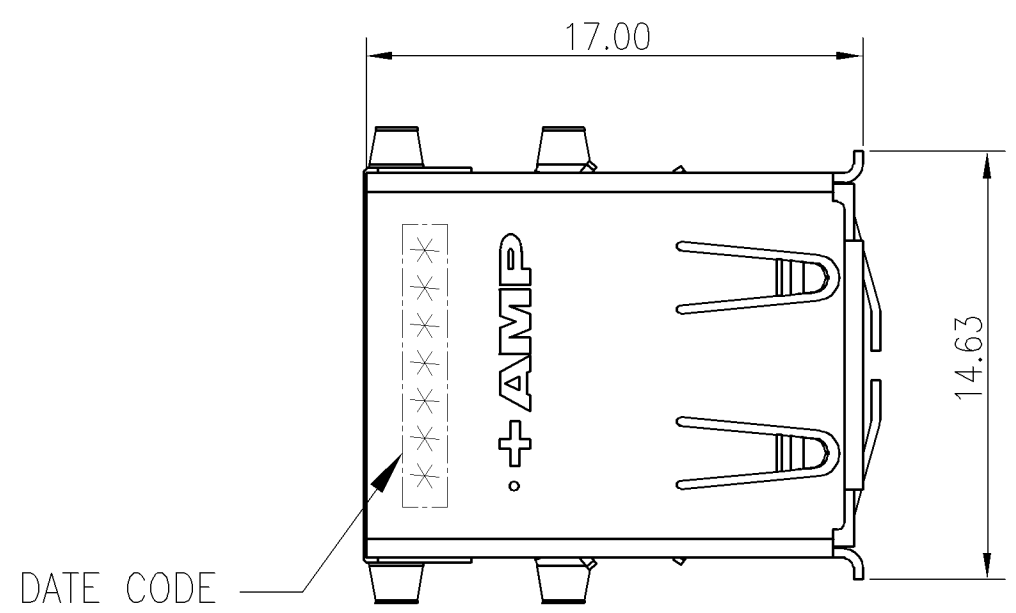


LOC	DIST	REVISIONS		
P	LTR	DATE	DWN	APVD
DW	—	0	FIRST RELEASED	05JUL05 SH WK
		A	REVISED, ECR-07-002459	09FEB07 SH WK

- NOTES :
- MATERIAL :
    - HOUSING: THERMOPLASTIC, PA46 UL 94V-0. COLOR: BLACK
    - CONTACTS: PHOSPHOR BRONZE
    - SHELL: BRASS
    - MIDDLE CLIP: SUS
    - BACK COVER: PHOSPHOR BRONZE
  - FINISH:
    - CONTACT:
      - 0.076μm[3μ"] MIN. GOLD PLATING ON CONTACT AREA,
      - 3.048μm[120μ"] MIN. MATTE TIN PLATING ON SOLDER TAILS,
      - 1.27μm[50μ"] MIN. NICKEL UNDERPLATING OVERALL.
    - SHELL:
      - 3.04μm[120μ"] MIN. BRIGHT TIN PLATING
      - 1.27μm[50μ"] MIN. NICKEL UNDERPLATING OVERALL.
    - BACK COVER:
      - 1.27μm[50μ"] MIN. NICKEL PLATING OVERALL.
  - WAVE SOLDER CAPABLE TO 265°C PER TYCO SPEC. 109-202, CONDITION B.

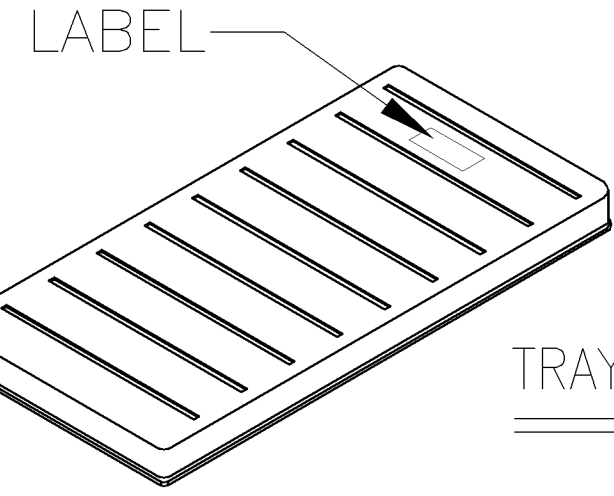


RECOMMEND PCB LAYOUT(THICKNESS:1.57mm)  
 TOLERANCE ±0.05  
 COMPONENT SIDE VIEW

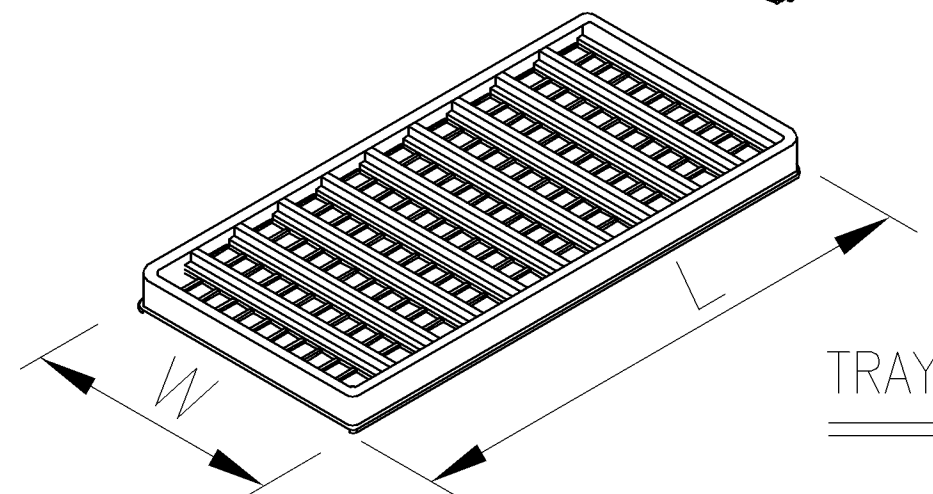
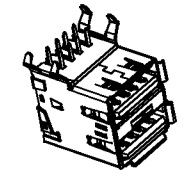
1734636-1  
 PART NUMBER

THIS DRAWING IS A CONTROLLED DOCUMENT.		DWN S. HOU 09FEB2007	<b>tyco</b> Tyco Holdings (Bermuda)	
DIMENSIONS: MM		CHK W.J. KE 09FEB2007	<b>Electronics</b> VII Ltd. Taiwan Branch	
TOLERANCES UNLESS OTHERWISE SPECIFIED:		APVD W.J. KE 09FEB2007	NAME	
0 PLC ± 0.30		PRODUCT SPEC 108-57408	USB STACKED, A TYPE,R/A, DIP TYPE	
1 PLC ± 0.25		APPLICATION SPEC 501-57800	SIZE	CAGE CODE
2 PLC ± 0.20		WEIGHT 5.3GRAM	A3	00779
3 PLC ± 0.05		CUSTOMER DRAWING	DRAWING NO	1734636
4 PLC ±		SCALE -	SHEET	1 OF 2
ANGLES ±		RESTRICTED TO	REV	A
MATERIAL SEE NOTE				
FINISH SEE NOTE				

LOC DW	DIST —	REVISIONS			
P	LTR	DESCRIPTION	DATE	DWN	APVD
		SEE SHEET 1.			

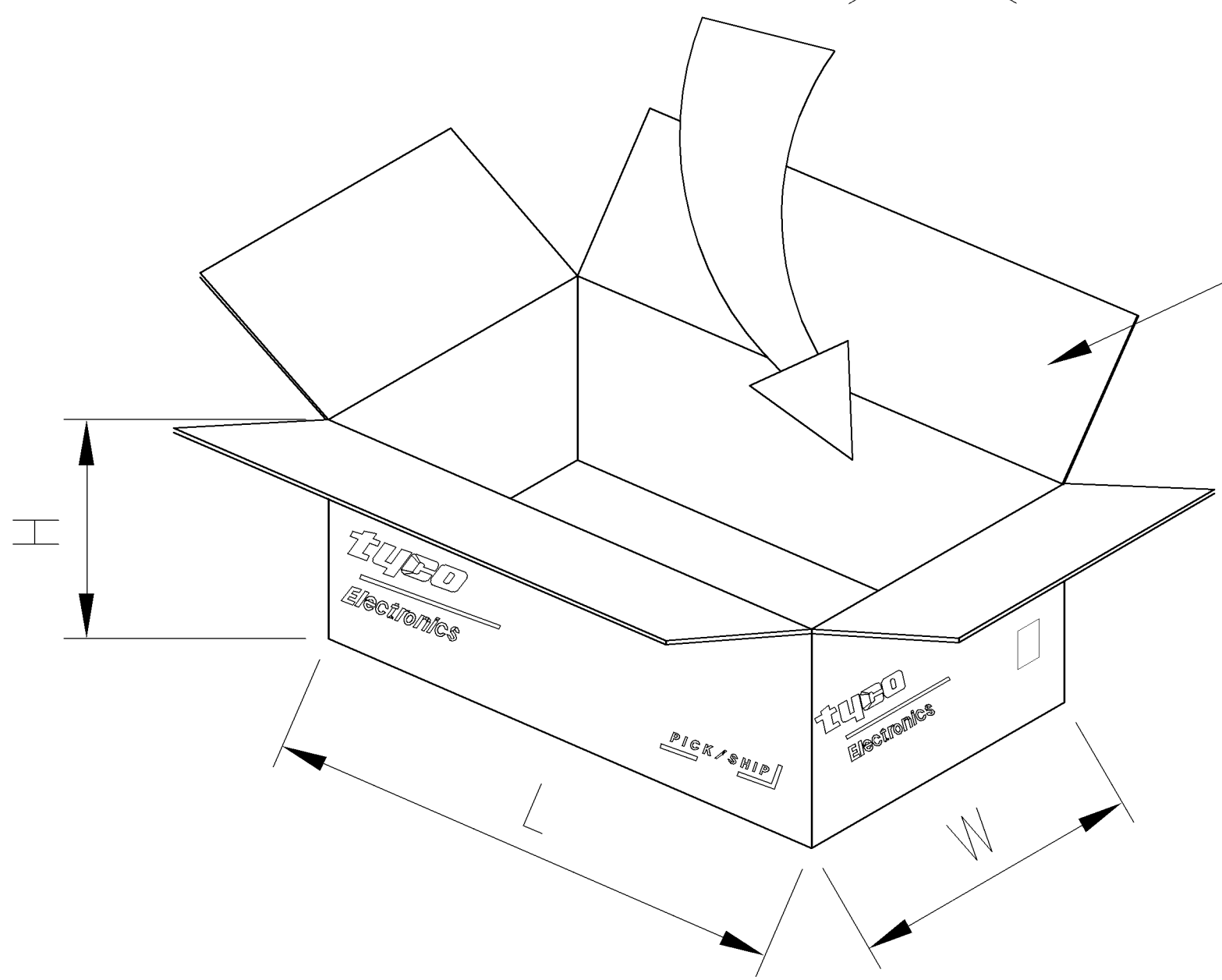


TRAY(COVER)



TRAY(DOWN)

- NOTES :
- DIMENSION :
    - TRAY : L=335, W=275, H=21
    - SHIPPING CARTON : L=340, W=280, H=220
  - QUANTITY :
    - PRIMARY PACKING: 100 PCS/TRAY
    - SECONDARY PACKING: 10 TRAYS/CARTON(1,000PCS)
  - WEIGHT :
    - NET WEIGHT : 5.3Kg
    - GROSS WEIGHT : 7.2Kg



CARTON

THIS DRAWING IS A CONTROLLED DOCUMENT.		DWN S. HOU	09FEB2007	<b>tyco</b> Tyco Holdings (Bermuda)	
		CHK W.J. KE	09FEB2007	<b>Electronics</b> VII Ltd. Taiwan Branch	
		APVD W.J. KE	09FEB2007	NAME	
		PRODUCT SPEC		USB STACKED, A TYPE,R/A, DIP TYPE	
		QUALIFICATION TEST REPORT		RESTRICTED TO	
		WEIGHT	SIZE A3	CAGE CODE 00779	DRAWING NO G- 1734636
		CUSTOMER DRAWING		SCALE —	SHEET 2 OF 2
				REV A	